

∪ SUBJECT TO CHANGE FOR PRODUCT IMPROVEMENT ∪

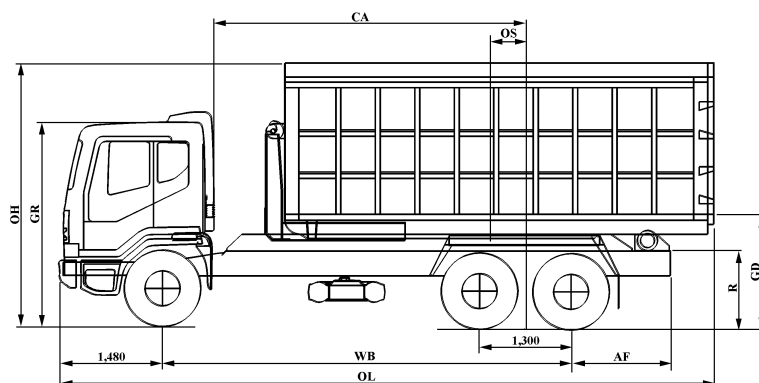
**TATA DAEWOO HEAVY DUTY TRUCK**  
**SPECIFICATIONS MANUAL**

*MODEL NAME : 6x4 Arm Roll*  
*MODEL CODE : K7CEF*

**February 2013**

**TATA DAEWOO COMMERCIAL VEHICLE CO., LTD.**

## o DIAGRAM



## o DIMENSIONS(mm)

Overall	Length	OL	9,390
	Width	OW	2,490
	Height	OH	3,700
Tread	Front	FT	2,050
	Rear	RT	1,855
Wheelbase		WB	5,800
Rear axle to frame		AF	2,510
Ground to roof		GR	2,925
Frame-ground above bogie		R	1,110
Usable cab to axle		CA	4,425
Deck offset		OS	450
Ground to deck floor		GD	1,645
Min. ground clearance			270
Deck inside	Length		5,700
	Width		2,300
	Height		2,040
	Volume(m <sup>3</sup> )		25.56

## o WEIGHTS (kg)

Chassis weight	Front	4,040
	Rear	3,910
	Total	7,950
Curb weight		13,300
Payload		11,000
Axle load	Front	6,500
	Rear	23,000
Permissible G.V.W		29,500

## o PERFORMANCE

Max. speed	(km/h)	99
Max. gradeability	(%)	28.5
Min. turning radius (m)		9.1

---

o ENGINE	Manufacturer	Doosan Infracore
	Model	DE12TIS
	Emission certificate	EURO II
	Type	Turbo intercooler, diesel engine
	Max. power	340ps (250kw)/ 2,100rpm
	Max. torque	145kg.m (1450N.m)/ 1,260rpm
	No. of cylinder	In line 6- cylinder
	Bore×Stroke	123×155(mm)
	Displacement	11,051cc
	Controller type	Semi-electronic
	Air cleaner	Dry paper elements
o CLUTCH	Type	Hydraulic control with air assisted Dry single plate with coil spring
	Plate diameter	Outside diameter : 430mm(17")
o TRANSMISSION	Manufacturer	S&T
	Model	T15S6
	Speed	6 Forward / 1 Reverse
	Gear ratio	7.263/4.207/2.526/1.569/1.000/ 0.699/6.857(R)
o FRONT AXLE	Type	Reverse elliot "I" beam
	Axle capacity	6,500kg
o REAR AXLE	Manufacturer	S&T
	Model	T14HT
	Type	Banjo single reduction
	Final drive ratio	5.571
	Axle capacity	23,000kg
o TIRE & WHEEL	Tire	12R22.5-16PR
	Disc wheel	8.25 X 22.5
	No. of wheel studs	10

---

o FRAME	Type	Ladder type, single channel
	Size (H×W×T)	320×90×8 (mm)
	Towing hook	Frame width behind cab : 850mm Equipped front & rear
o STEERING	Handle position	Left-hand drive
	Type	Recirculating ball with integral power assisted by oil
	Steering column	Tilt & Telescopic
	Steering wheel	2-spoke wheel with horn button
o FRONT SUSPENSION	Type	Semi-elliptical leaf spring
	Size (L×W)	1,500mm×90mm
o REAR SUSPENSION	Type	Semi-elliptical leaf spring
	Size (L×W)	1,300mm×90mm
o BRAKE	Service brake	Full air brake dual circuit
	Drum diameter	410mm
	Lining Front	414mm×155mm
	Rear	414mm×203mm
	Material	Non-asbestos
	Parking brake	Spring actuator at rear wheels
	Auxiliary brake	Exhaust brake
o FUEL TANK	Volume	400ℓ
	Material	Made of pressing steel
	Cap	Equipped key lock
o ELECTRICAL SYSTEM	Battery	12V - 150Ah×2
	Alternator	24V - 80A
	Starter	24V - 6.0kw
o EXHAUST SYSTEM	Type	Mounted longitudinal

---

o CAB	Type	All -welded cab of tilt type Hydraulic Tilt. Tilt angle 50°
	Number of crew	2
	Cab suspension	Coil spring & shock absorber
	Tilting System	Mechanical
o INSTRUMENTATION	Gauges & meters	Speedometer
		Water temperature gauge
		Air pressure gauge, fuel gauge
		Engine oil pressure gauge
		Engine tachometer gauge
o SEAT & BED	Driver seat	Height adjustable, rigid seat Sliding & reclining, Equipped with head rest
	Passenger seat	Rigid type, full folding & reclining
	Bed	Equipped one bed
	Covering	Tricot
o WIPER	Type	Two blade, 3-speed wiper with electrical washer
o HEATING		Heater & Defroster
o GLASS & MIRROR	Windshield	Laminated safety glass
	Door glass	Tempered safety glass
	Outside mirror	Convex mirror
o LAMP	Front	Head & fog lamp, turn signal lamp Position lamp
	Rear	Position, stop, turn signal lamp Reverse lamp License plate lamp
o TOOLS	Tools	Hydraulic Jack, Wrench monkey Wrench & Handle-Wheel nut Driver, Spare tire handle, etc
	Spare tire	One equipped with mounting bracket

# ADDITIONAL EQUIPMENT

K7CEF

---

HYDRAULIC PUMP	Max pressure	350 bar
	Displacement	80 cc/rev
WORKING OIL TANK	Size	530×480×380 (L×W×H)
	(inside)Volume	100ℓ
HYD. CYLINDER (Bore×Rod×Stroke)	Dumping	Φ180×Φ80 - 1,765, (2EA)
	Sliding	Φ110×Φ65 - 1,225, (1EA)
CONTROL VALVE	Make / Model	
	Max pressure	350 bar
	Displacement	130 ℓ/min
COUNTER BALANCE VALVE	Make / Model	
	Max pressure	350 bar
	Displacement	200 ℓ/min
O PILOT CHECK VALVE	Make / Model	
	Max pressure	300 bar
	Displacement	100 ℓ/min
SUCTION FILTER	Make / Model	130 ℓ/min
	Displacement	
WORKING EQUIPMENTS	Loading type	Sliding type
	Material	STEEL (SS41)
	Dumping	
	Angle	50°
	Capacity	25 tons
	Operating time	60 ~ 67/sec
Option	Loading box	
	Size (L×W×H)	5,700×2,300×2,040
	Material	SS41
	Thickness	Side : 3.2 mm
		Floor : 3.2mm
	Roof : 1.6mm	